



Simplicity Bubblers Chilled Beverage Dispensers 4x9 L, agitator model with locking lid and UK plug

ITEM # _____

MODEL # _____

NAME # _____

SIS # _____

AIA # _____



CCCRKW (ECS4E22UK)

Chilled Beverage Dispenser
with 4x9 liter bowls with
agitator and locking lid,
R290 - UK plug

Short Form Specification

Item No. _____

Chilled beverage dispenser, 4x9lt, with agitation function for fresh juices, coffees, or teas with minimal foaming system. Dispense 4 flavors in (4) 9lt easy-clean bowls with 23cm cup clearance. Easy-off bowl release system for faster and easier assembly and disassembly. Bowls with locking lid for added safety against tampering.

Temperature range from 1.7 - 5° C. Pre-mix dispenser with stainless steel base and clear plastic bowls.

Delivered with UK plug.

Main Features

- Agitation function for fresh juices, coffees, or teas with minimal foaming system.
- Easy-off bowl release system for faster and easier assembly and disassembly.
- User friendly design enables machine to dispense product till the very last drop.
- Dispense 4 flavors in (4) 9 L easy-clean bowls with 23 cm cup clearance.

Construction

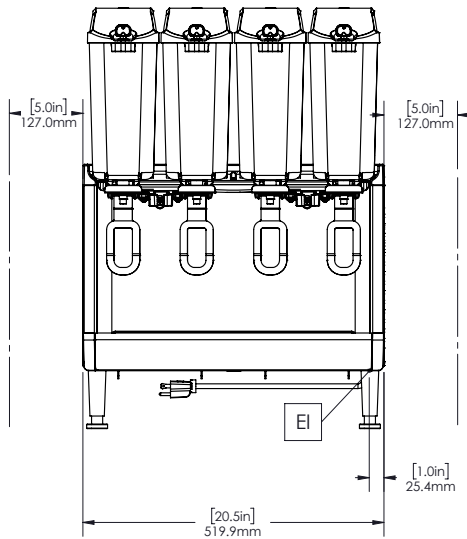
- Pre-mix dispenser with stainless steel base and clear plastic bowls.
- Fewer removable parts to simplify cleaning and reduce maintenance.
- Temperature range from 1.7 - 5° C.
- The air intakes from the bottom and exhaust to back.
- Locking lid for added safety against tampering.
- Refrigerant type: R290.

APPROVAL: _____

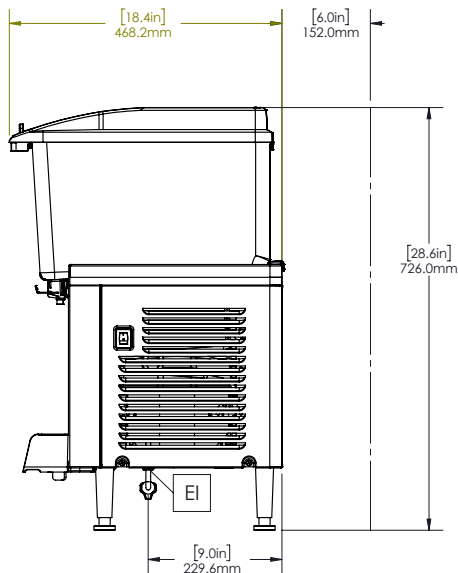


Experience the Excellence
www.electroluxprofessional.com

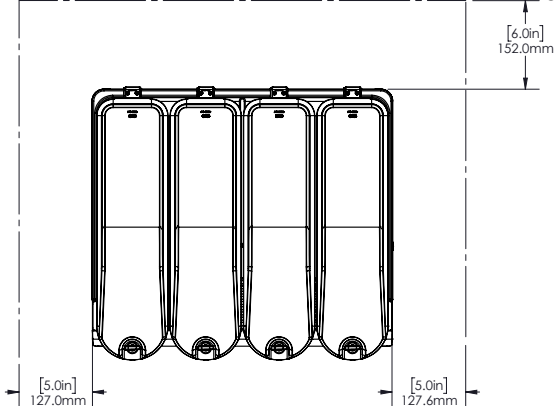
Front



Side



Top



Electric

Supply voltage:

CCCRW (ECS4E22UK)

220-240 V/1N ph/50/60 Hz

Electrical power max.:

0.6 kW

Key Information:

External dimensions, Width: 521 mm

External dimensions, Depth: 451 mm

External dimensions, Height: 729 mm

Net weight:

ISO 9001 kg

Shipping weight:

35 kg

Shipping height:

528 mm

Shipping width:

483 mm

Shipping depth:

630 mm

Sustainability

Refrigerant type:

R290